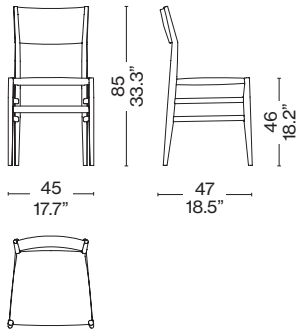
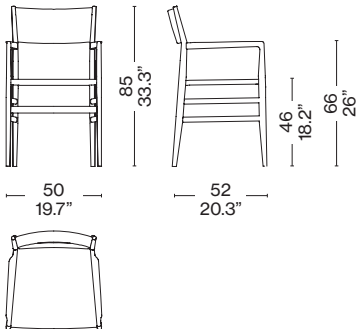


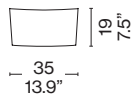
646 P0 3_/5_



646 P0 7_/9_



646 P0 A3



646 P0 B3

